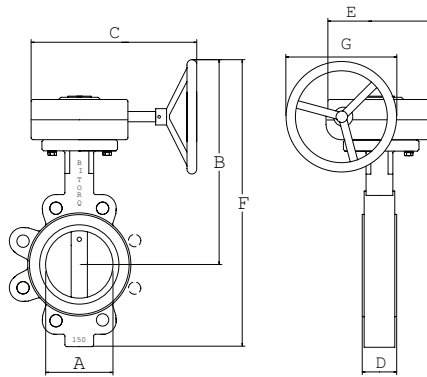




GEAR OPERATED BUTTERFLY VALVES



Aluminum Gear
1000 through 5000 in lbs torque

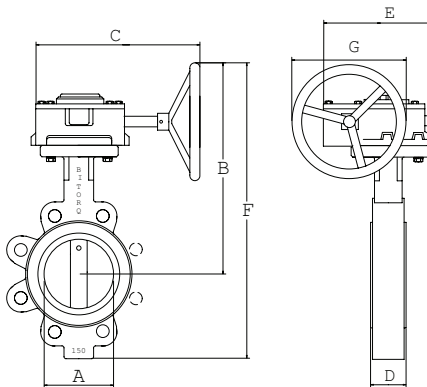


MY SERIES BFV WITH ALUMINUM GEAR OPERATOR

A	B	C	D	E	F	G	GEAR
2"	11.72	9.25	1.69	4.82	14.87	7.09	9801
2-1/2"	12.27	9.25	1.81	4.82	15.77	7.09	9801
3"	12.51	9.25	1.81	4.82	16.25	7.09	9801
4"	13.25	9.25	2.05	4.82	17.74	7.09	9801
5"	13.77	9.25	2.20	4.82	18.77	7.09	9801
6"	15.28	9.25	2.20	4.82	20.75	7.09	9801
8"	16.62	10.78	2.36	5.38	23.51	8.09	9804
10"	17.88	10.78	2.68	5.38	25.87	8.09	9807
12"	19.65	12.38	3.07	6.05	29.18	8.54	9807

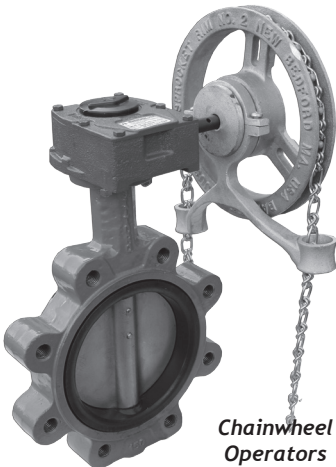


M-Series Cast Iron Gear
1100 through 39,600 in lbs torque

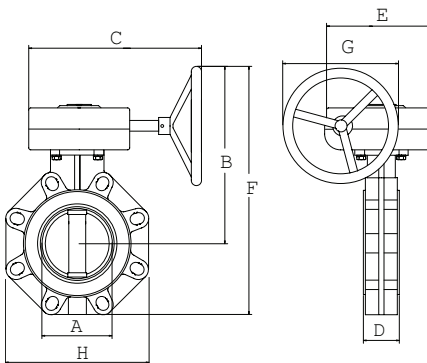


MY SERIES BFV WITH CAST IRON GEAR OPERATOR

A	B	C	D	E	F	G	GEAR
2"	11.62	8.73	1.69	4.21	14.77	7.47	M10
2-1/2"	12.17	8.73	1.81	4.21	15.67	7.47	M10
3"	12.41	8.73	1.81	4.21	16.15	7.47	M10
4"	13.15	8.73	2.05	4.21	17.64	7.47	M10
5"	13.67	8.73	2.20	4.21	18.67	7.47	M10
6"	15.18	8.73	2.20	4.21	20.65	7.47	M10
8"	16.52	8.73	2.36	4.21	23.41	7.47	M10
10"	17.78	8.73	2.68	4.21	25.77	7.47	M12
12"	19.55	8.73	3.07	4.21	29.08	7.47	M12



Chainwheel Operators
for all gear styles



PP SERIES BFV WITH ALUMINUM GEAR OPERATOR

A	B	C	D	E	F	G	H	GEAR
2-1/2"	11.07	9.25	1.81	4.82	14.22	7.09	6.50	9801
3"	11.62	9.25	1.93	4.82	15.28	7.09	7.28	9801
4"	12.17	9.25	2.20	4.82	16.38	7.09	8.31	9801
5"	12.95	9.25	2.52	4.82	17.67	7.09	9.45	9801
6"	13.48	9.25	2.80	4.82	18.78	7.09	10.60	9801
8"	15.32	10.78	2.80	5.38	21.66	8.09	12.72	9804
10"	16.15	10.78	4.49	5.38	24.42	8.09	15.95	9804
12"	19.39	10.78	4.49	5.38	29.04	8.09	18.70	9804

PP SERIES BFV WITH CAST IRON GEAR OPERATOR

A	B	C	D	E	F	G	H	GEAR
2-1/2"	10.97	8.73	1.81	4.21	14.12	7.47	6.50	M07
3"	11.52	8.73	1.93	4.21	15.18	7.47	7.28	M07
4"	12.07	8.73	2.20	4.21	16.28	7.47	8.31	M07
5"	12.85	8.73	2.52	4.21	17.57	7.47	9.45	M07
6"	13.38	8.73	2.80	4.21	18.68	7.47	10.60	M07
8"	15.22	8.73	2.80	4.21	21.56	7.47	12.72	M07
10"	16.05	8.73	4.49	4.21	24.32	7.47	15.95	M07
12"	19.29	8.73	4.49	4.21	28.94	7.47	18.70	M07