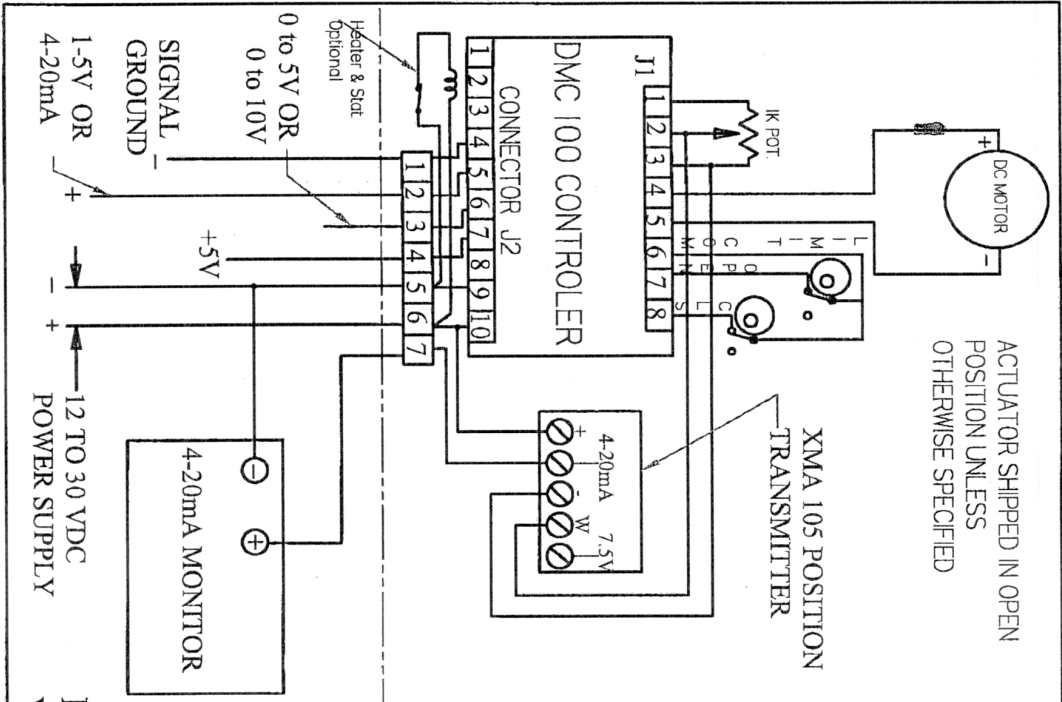


DC ACTUATOR WITH TRANSMITTER/POSITIONER OPTION



SPECIFICATIONS

POWER REQUIREMENTS:
 Operating voltage...10 to 30 VDC
 Operating Current (motor on)...87mA typical
 Operating Current (trip output on)...40mA typical
 Standby Current (motor off, trip off)...20mA typical
 Fuse Type...15A 3AG Slo-Bio

COMMAND SIGNAL INPUT:
 Common Mode Voltage (all inputs)...-13 to +30VDC
 0-5VDC...Input Impedance = 10K ohms, External Command Pot = 1K ohm
 0-10VDC...Input Impedance = 20K ohms
 1-5VDC...Input Impedance = 200K ohms, Loss of signal threshold $\leq 0.75V$
 4-20mA...Input Impedance = 250 OHMS $\pm 1\%$, Loss of command signal threshold $\leq 3mA$

FEEDBACK SIGNAL INPUT:
 Input Voltage...0 to 5VDC, External feedback pot. 1K to 10K ohms

DC MOTOR OUTPUTS:
 Maximum load current = 15A

ENVIRONMENTAL:
 Operating Temp. = -40 to 65 deg. C, Storage Temp. = -40 to 85 deg. C.
 Relative Humidity Range = 0 to 90% (noncondensing)

FIELD WIRING

WIRING DIAGRAM FOR DC ACTUATOR WITH 4-20mA POSITIONER & TRANSMITTER			
5-27-97			B
JTR		WD4-20MADC-TX	