

M-5000TG/5700TG Steam and Cold Water Mixing Unit

Installation, Operating and Maintenance Instructions

Last Updated: August, 2014



Strahman Valves, Inc. USA Headquarters

2801 Baglyos Circle Bethlehem, PA 18020

Phone: (484) 893-5080

Fax: (484) 893-5099

www.strahmanvalves.com

QMS12.004



ISO 9001
Management System Registered

Maintenance of Model

M-5000TG/5700TG

Steam and Cold Water Mixing Unit

M-5000TG, M-5700TG SERIES FOR STEAM AND COLD WATER

These units produce hot water instantly from a steady supply of steam and cold water. All mixing units-hose stations in the M-5000/M-5700 series are equipped with a dial-type gauge that indicates the wash water's exact temperature. Users can easily regulate the temperature by turning the unit's steam and cold-water valves.

INSTALLATION INSTRUCTIONS

Strahman Mixing Units are designed for wall mounting and are provided with necessary hexagonal spacers tapped for 3/8" bolts. They can be mounted on any type of wall by means of toggle bolts, expansion bolts or other conventional method, the only requirement being that from 5/8" to 1" of full thread be left projecting from the wall. (See **Figure 1**)

1. Using the template provided (see attached drawing), layout and install mounting studs in wall.
2. Slide Wall plate (part 11) over stud and run on hex spacers and pulls up snug.
3. Insert short cap screw thru center mounting lug of unit and attach to corresponding spacer on wall, ALSO thru temperature gage holder on M5000 unit.
4. Complete assembly by inserting the two long cap screws thru hose rack connector (part 4), lock washer (part 3) and thru mounting lugs on unit. Pull up all cap screws tight and the unit is ready for necessary pipe 3/4" NPT. It is important that the lock washer is placed in the proper place as this insures rigidity of installation.

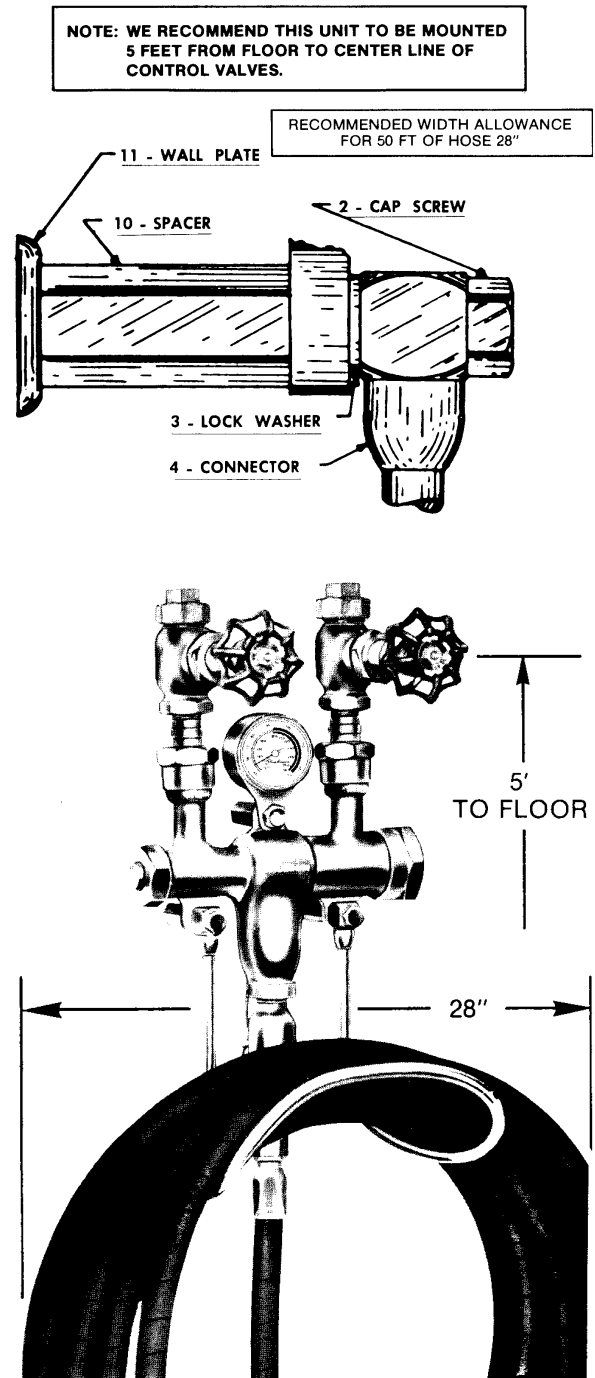


Figure 1: M-5000/M-5700 Installation.

OPERATING INSTRUCTIONS

Follow your company safety precautions during mixing unit operation.

To turn M-5000/M-5700 on, follow the steps listed below:

1. Strahman recommends steam traps are installed and functioning properly.
2. Turn on the water valve, located on the right side of the unit, counter clockwise.
3. Squeeze spray nozzle until you get full water flow.
4. Slowly turn on the steam valve, located on the left side of the unit, counter clockwise until you reach the desired water temperature outlet.
5. If unit will be idled for a long period of time the unit, along with the hose, should be drained. This will help avoid a build-up of deposits. The hose should be stored on the hose rack when not in use.

See **Table 1** for easy control valves identification.

NOTE: If you do not get the desired water temperature outlet, turn the water valve handle clockwise until you reach the desire temperature.

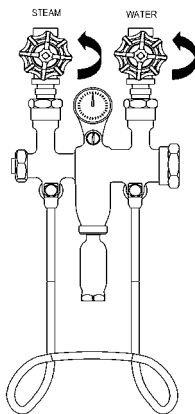


Figure 2: Turn control valves counter clockwise to turn M-5000/M-5700 on.

To turn M-5000/M-5700 off, follow the steps listed below:

1. Shut off the steam valve completely.
2. Shut off the water valve completely.
3. Relieve any pressure in the unit by opening the spray nozzle.

CAUTION: If internal pressure is not relieved when shutting the unit off, steam will come out at the spray nozzle when first open. Shut M-5000/M-5700 down when unit is not being used.

If unit is not shut down the steam will boil the water in the unit and cause steam to come from nozzle when first turned on.

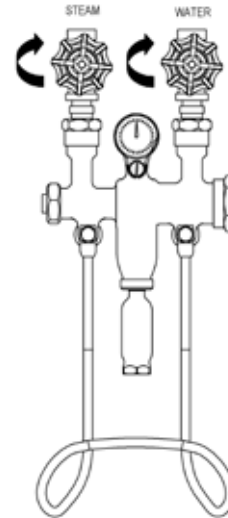


Figure 3: Turn Off control valves clockwise to turn M-5000/M-5700.

	COLOR	
	STEAM	WATER
M-5000	RED	BLACK
M-5700	ORANGE	BLUE

Table 1: Control Valves Color Identification

For more information, please contact your Strahman representative.

MAINTENANCE INSTRUCTIONS

The Strahman Instant Hot Water Maker must be maintained properly in order to get the best results. The steam passing through the unit is controlled by a steam poppet (5), which should be replaced as soon as it becomes worn, This can easily be done by following the steps below. (See page 3 & Table 2)

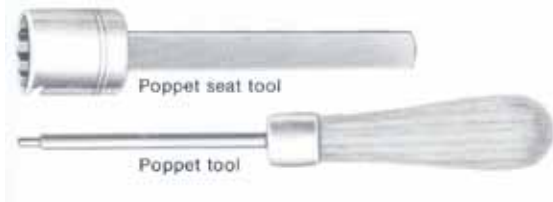
1. First close the control valves, and allow the unit to cool.
2. Then remove the hex nut (21) on the left side of the unit.
3. Remove the poppet (5) guide assembly (parts 20, 26, 27 & 28) the assembly should easily slide out of the unit with little effort.
4. The poppet can now be removed using the special tool furnished in the M-5000 Service Kit. (See Page 3)

5. The new poppet can now be installed using the same tool, guide assembly, and guide nut (torque guide nut to 75 Ft-Lbs – 100 Ft-Lbs Max.)

6. The unit is now ready for use.

In extremely sever cases it may be necessary to replace the poppet seat, (7). This can be done with the poppet and guide assembly removed as in the previous steps.

1. Use the Poppet seat tool
2. Insert tool and turn counter clock-wise to loosen and remove the poppet seat.
3. Reinstall the poppet seat by turning the seat tool in clock-wise until snug.



NOTE: If leakage occurs at the poppet guide assembly, immediately turn off both control valves. Relieve any pressure in the unit by opening the spray nozzle. Allow the unit to cool down before removing the poppet guide nut. Remove poppet guide nut and poppet guide assembly (See Figure 4). Clean the area where the poppet guide seats in the M-5000 body. Clean the seating area of the poppet guide and apply pipe dope. Reinstall the poppet guide assembly and poppet guide nut. Torque the poppet guide nut to 75 ft-lbs. Do not exceed 100 ft-lbs.

Follow this procedure whenever the poppet guide assembly is removed.

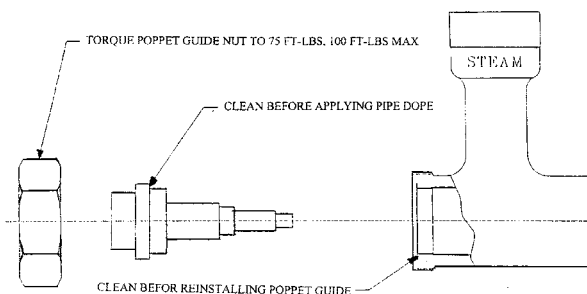
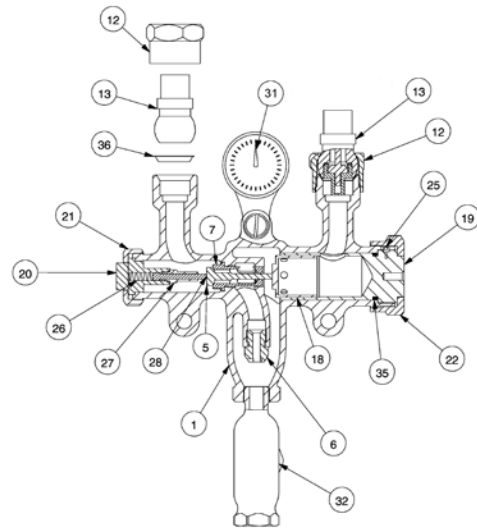


Figure 4: M-5000/M-5700 poppet guide seat assembly.



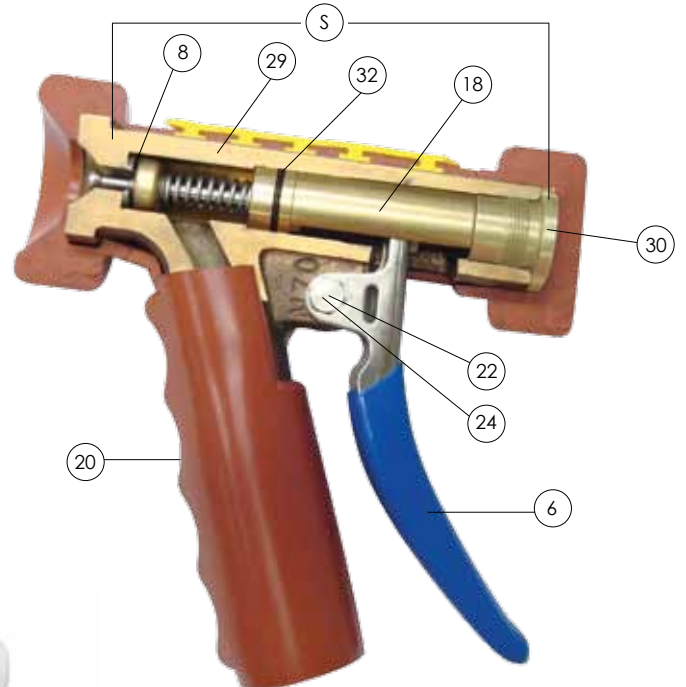
PARTS			
PART NO.	PART	M-5700 MATERIAL	M-5000 MATERIAL
1	BODY (includes parts 6 and 7)	SST 316	BRONZE
2	HOSE RACK CAP SCREW (not shown)	SST 304	SST
3	HOSE RACK LOCK WASHER (not shown)	SST 410	SST
4	HOSE RACK CONNECTOR (not shown)	SST 303	BRASS
5	STEAM POPPET (L, M, H)	SST 303	SST
6	STEAM JET	SST 416	SST
7	POPPET SEAT	SST 304	BRONZE
8	HOSE RACK (not shown)	SST 302	SST
10	SPACER (not shown)	SST 416	SST
11	WALL PLATE (not shown)	SST 304	BRASS
12	BALL CHECK UNION NUT	SST 304	BRASS
13†	BALL CHECK VALVES (includes part 36)	SST 303	BRASS/SST ALUMINUM SILICONE BRONZE
18	WATER CHAMBER	SST 303	SST
19	WATER CHAMBER HOUSING (includes part 35)	SST 304	BRASS
20	POPPET GUIDE	SST 304	BRASS
21	POPPET GUIDE NUT	SST 303	BRASS
22	BODY NUT	SST 303	BRONZE
25	SET SCREW	SST 304	SST
26	POPPET SPRING	SST 302	SST
27	GUIDE EXTENSION	SST 416	SST
28	PUSHER	SST 303	SST
31**	TEMP GAUGE	PLATED BRASS	CHROME
32	BLENDED CHAMBER	SST	Bronze (269)
35	"O" SEALING RING FOR WATER CHAMBER HOUSING	EPMD	E5 15-80-2Q75
36	BALL CHECK GASKET	COPPER, PTFE COATED	COPPER

†Sold as a complete unit.

**Temperature gauge: 40-120°C/100-250°F.

Strahman Water-Saver Spray Nozzle

Also available in stainless steel.



20B Black
20R Red
20W White

Instruction for Servicing

(Caution: Not for use on steam hose)

The entire working parts of the Strahman Water-Saver Spray Nozzle are contained in a single cartridge (F, J, M, S). This cartridge can be removed by:

1. Remove rubber cover (20) by slipping the rubber off the back of nozzle and pulling over front.
2. Remove lever arm screw and nut (24) and remove lever arm (6)
3. Unscrew lock screw (30) and extract the cartridge from back end of nozzle with cage (18).
4. To insert new cartridge, reverse above procedure.
5. Be sure when replacing cage (18) to place cut-away part of cage facing downward, so lever arm (6) can be inserted.
6. Be sure lever arm is placed ahead of stem guide (31) on cartridge unit.
7. To replace cover wipe body with detergent, insert nozzle end first then handle into cover. Use a round ended tool approx. 3/8" in diameter to stretch cover over back. Sharp tools can cut cover.

Parts List

- F Renewable Cartridge Unit — Model F-90 Series
- SF Renewable Cartridge Unit — Model F-90 SS Series
- J Renewable Cartridge Unit — Model S-80 Series
- SJ Renewable Cartridge Unit — Model S-80 SS Series
- M-70 Renewable Cartridge Unit — Model M Series (shown)
- S-70 Renewable Cartridge Unit — Model S Series
- 6. Lever Arm
- 8-S. Stainless Steel Seat
- 18. Cage
- 20B. Renewable Rubber Cover (Black)
- 20R. Renewable Rubber Cover (Red)
- 20W. Renewable Rubber Cover (White)
- 21. Hose Adapter (1/2", 5/8", 3/4") (3/4" Garden Hose Thread)
- 21S. Swivel Hose Adapter (1/2", 5/8", 3/4") (3/4" Garden Hose Thread)
- 22. Lever Arm Bushing
- 24. Lever Arm Screw and Nut
- 28. Lock Rings
- 29. Body
- 30. Lock Screw
- 31. Stem Guide
- 32. Body Sealing O-ring

The Strahman Soft Seal Piston Valve

V-14-U 3/4" Globe (Shown)

V-18 3/4" Angle, V-14S (Screwed End)

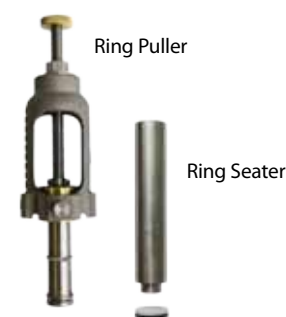
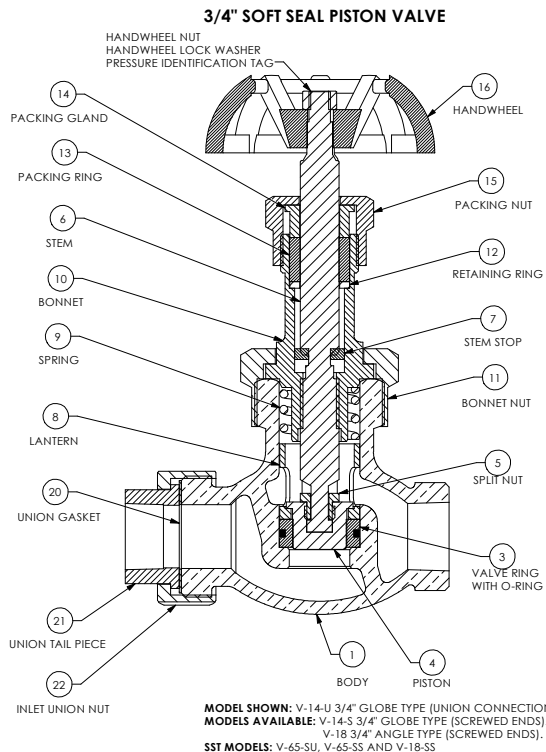
V-65-SU 3/4" Globe Stainless Steel

V-18-S 3/4" Angle Stainless Steel

Note: Globe (Union Connection) Valve Shown.

Angle Valve Not Shown.

PARTS	
PART NO.	PART
1	BODY SCREWED ENDS
1	BODY SCREWED ENDS SS
1	BODY UNION TYPE
3	VALVE RING
4	PISTON
5	SPLITNUT
6	STEM (includes part 7)
7	STEM STOP (set of 6)
8	LANTERN
9	SPRING
10	BONNET Bronze
10	BONNET SS 303
11	BONNET NUT
11	BONNET NUT SS 303
12	RETAINING RING (set of 6)
13	PACKING RING
14	PACKING GLAND
15	PACKING NUT
15	PACKING NUT SS 303
16	BLACK HANDWHEEL
16	RED HANDWHEEL
17	HANDWHEEL NUT (set of 6)
20	UNION GASKET (set of 6)
20	SPIRAL WOUND GASKET Graphite
21	UNION TAIL PIECE
22	UNION INLET NUT
23	ANGLE RECESSED GASKET

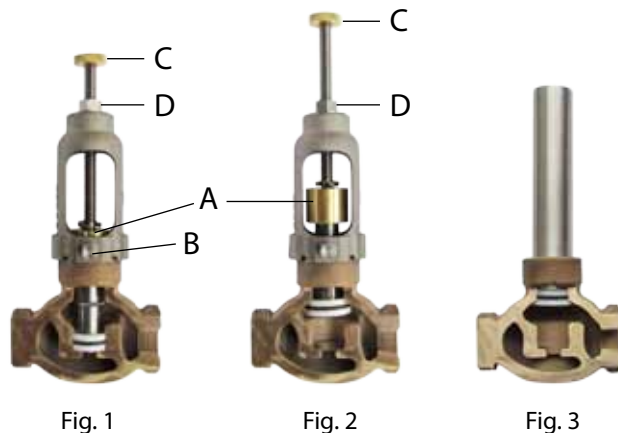


Note: When installing new spring, splitnut no. 5 and piston no. 4 must be disassembled from stem no. 6. Install new spring over stem against bonnet. Reassemble splitnut and piston. Hold spring against bonnet.

Instructions for Use of Tools with Soft Seal Piston Valve

Extracting Valve Ring

- First** Remove bonnet and stem assembly by opening valve to wide open position and removing bonnet nut and working assembly free of body.
- Second** Insert pulling tool into ring pocket making sure that puller housing is located evenly on neck of valve body. Slotted cap 'A' should rest on lantern as shown in Fig. 1. Rotate until pin 'B' can be pressed into slot and hold while knurled nut 'C' counter clockwise until refusal.
- Third** With an adjustable wrench, turn hex nut 'D' in a clockwise direction until internal parts are fully extracted, as shown in Fig. 2.
- Fourth** Spin hex nut all the way back on so that withdrawn parts can be fully extended from puller housing, then turn knurled nut 'C' clockwise which will release parts from puller.



To Insert New Valve Ring

- First** Place valve ring, including O-ring, on seating tool as shown in Fig. 3 and drive into valve body as far as it will go keeping sealer tool as straight as possible.
- Second** Drop lantern into body with large I.D. and wider band facing up making sure lantern sits evenly on ring.
- Third** Before installing bonnet assembly into body, fully retract stem making sure spring is located between back of piston and bonnet. Install into body. Tighten down bonnet nut until refusal.

Precautions: Make sure ring pocket is free of scale, rust or other obstruction before replacing valve ring. Make sure parts are replaced in same order as removed.

Base ring no longer necessary (older valves only).

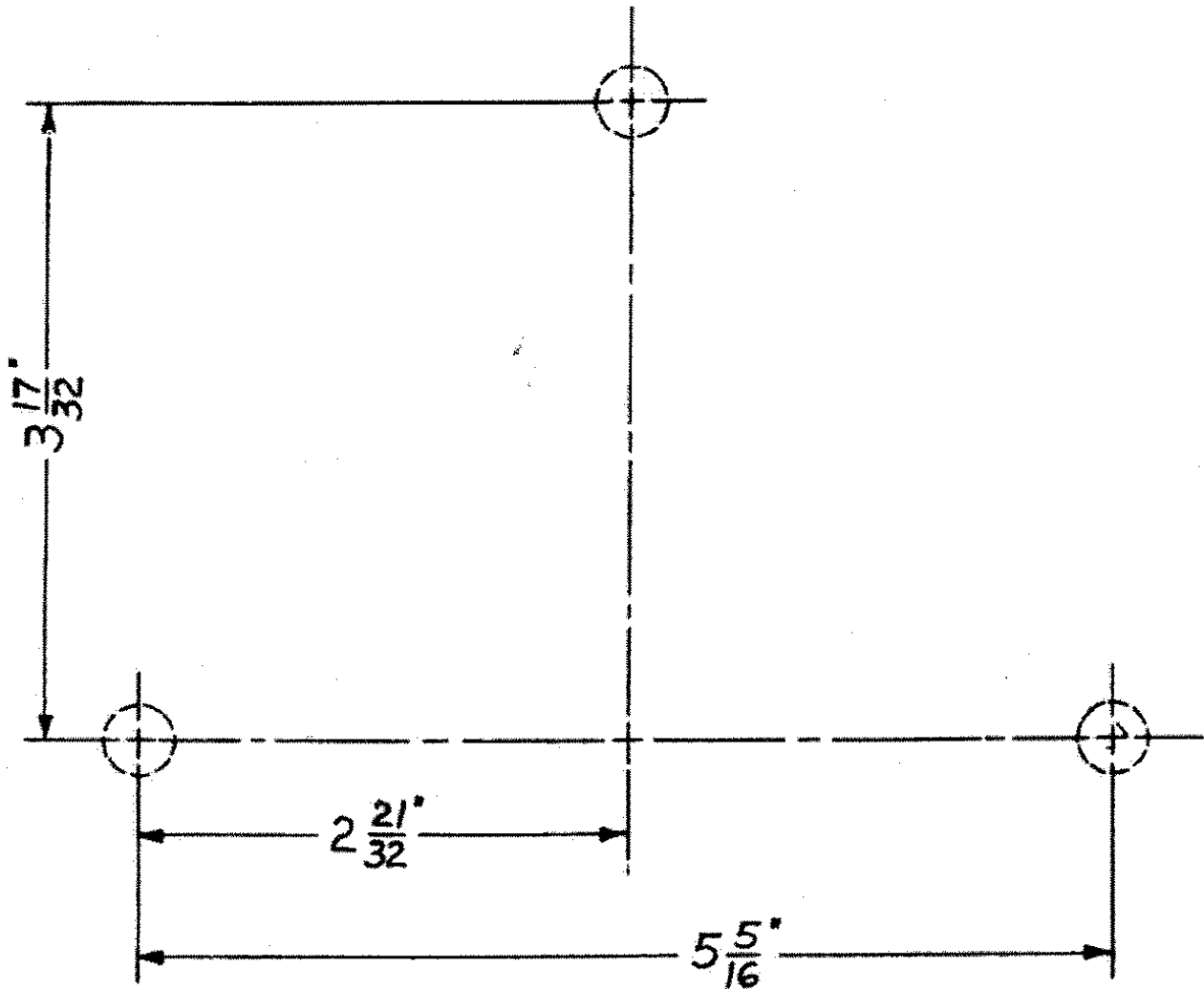
Maintenance of Model

M-5000TG/5700TG

Steam and Cold Water Mixing Unit

TEMPLATE FOR MOUNTING M-5000 STRAHMAN INSTANT HOT WATER MAKER

THREE 3/8" STUDS N.C. - STUDS MUST STICK OUT 5/8" TO 1" FROM WALL.



NOTE: THESE UNITS HAVE SPACERS (10) AND LOCK WASHERS (3) ATTACHED. SPACER MUST BE DETACHED FOR MOUNTING. SPECIAL CARE IS ADVISED FOR THE CENTER SPACER WHICH HOLDS THE TEMPERATURE GAUGE IN PLACE.

The Strahman Family of Products Includes:

Wash Down Equipment

Strahman offers a full line of mixing units, hose stations, hoses, nozzles, and wash down accessories. Our wash down line is designed for industrial use and is used in a wide variety of industries including food, beverage, pharmaceutical, chemical and other applications.

Pre-Rinse Equipment for Commercial Kitchens

Strahman offers pre-rinse spray nozzles, handles, hoses, hose reels and Pivot Pro swivel connectors. Designed for use in restaurants, hotels, supermarkets, and all commercial kitchens, food serving and food preparation applications.

Sampling Valves

Strahman has a full line of sampling valves that produce live samples without exception. Our sampling valves' unique design prevents failure caused by sediment or clogging.

Drain Valves

Strahman Drain Valves are designed to prevent clogging. They are ideal for use in liquid and gas service or with slurries, polymers, and high viscosity fluids that tend to solidify at room temperature.



Last Updated: August, 2014



USA Headquarters

2801 Baglyos Circle ♦ Bethlehem, PA 18020

Phone: (484) 893-5080 ♦ Fax: (484) 893-5099 ♦ Toll Free: (877) STRAHMAN

www.strahmanvalves.com

France

Savoie Hexapole, F-73420 Mery, France

Tel: 33 (0) 4 79 35 78 00

Fax: 33 (0) 4 79 35 78 20

Germany

Kirchstrasse 16, D-77855, Achern, Germany

Tel: 49 (0) 7841 6846530

Fax: 49 (0) 7841 6846531



ISO 9001
OMI-SAI Global