



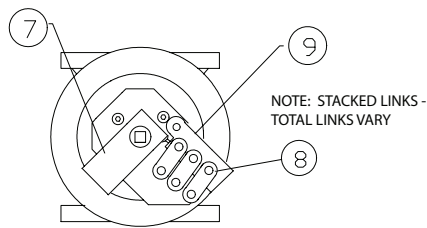
HT SERIES FOR VALVES UP TO 1800 INCH POUNDS OF TORQUE

HT SERIES FEATURES

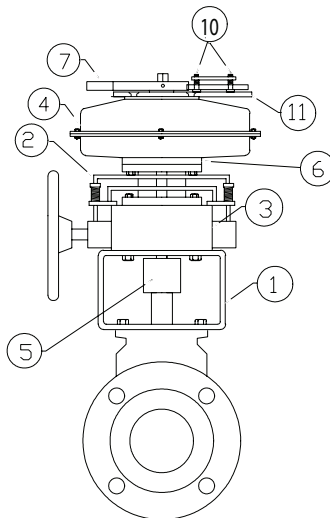
- FOR FIRE SAFE BALL, PLUG VALVES, AND BUTTERFLY VALVE SIZES DEPENDING ON VALVE TORQUE, MEDIA AND LINE PRESSURE
- PROVIDES AUTOMATIC CLOSURE IN THE EVENT OF FIRE
- VALVE CAN BE OPERATED MANUALLY WITH DECLUTCHABLE GEAR AFTER DISARMING
- SOLDERED FUSIBLE LINKS AVAILABLE IN A VARIETY OF TEMPERATURES
- API 607 FIRE SAFE BALL OR BUTTERFLY VALVES AVAILABLE AS PART OF A PACKAGE
- FM APPROVED ACTUATOR



The HT (high-torque) fusible link assembly incorporates a declutchable gear operator to normally operate the valve after disarming.



TOP VIEW ARMED



1	valve mounting bracket	7	stop plate
2	declutch lever	8	fusible link (6)
3	declutch manual override	9	pivot arm
4	spring pack (10, 12)	10	mounting studs
5	valve coupler	11	fusible link mounting plate
6	declutch mounting plate		

NOTE: Links should be replaced on an annual basis as part of a regular maintenance program. Links are not rated for use in corrosive atmospheres.

HEAVY DUTY SPRING PACK

The armed spring pack features weatherproof sealed spring housing and corrosion resistant epoxy paint. The reliable low stress clock springs assure quick closing action when the fusible links yield.

CUSTOMIZED MOUNTING HARDWARE

A heavy-duty gauge bracket and stainless steel top plate provide the durable, secure construction that BI-TORQ® Valve Automation products are known for. An all stainless bracket, coupling, arming plate and hardware kit also are available.

FACTORY ASSEMBLED

All BI-TORQ® Valve Automation fusible link assemblies are assembled by factory-trained personnel. The units then are armed with a protective safety link for shipping purposes.

DECLUTCHABLE MANUAL OVERRIDE

The HT-series features a declutchable gear operator to arm the assembly or to operate the valve once the links are disengaged.

RELIABLE FUSIBLE LINKS

BI-TORQ Valve Automation fusible links are designed to remain secure until releasing the spring pack when the desired temperature is reached. Soldered fusible links are available in these temperature ranges:

LINK PART NUMBER	LINK YIELD TEMPERATURE	MAXIMUM AMBIENT TEMPERATURE
FL-1-165	165° F/74° C	135° F/57° C
FL-1-212	212° F/100° C	185° F/82° C
FL-1-286	286° F/138° C	253° F/123° C
FL-1-360	360° F/182° C	330° F/166° C

Please consult factory for special order links

NOTE: MODEL HT-129 REQUIRES K SERIES LINKS; PLEASE REFER TO THOSE PART NUMBERS FOR TEMPERATURES AND RATINGS.