

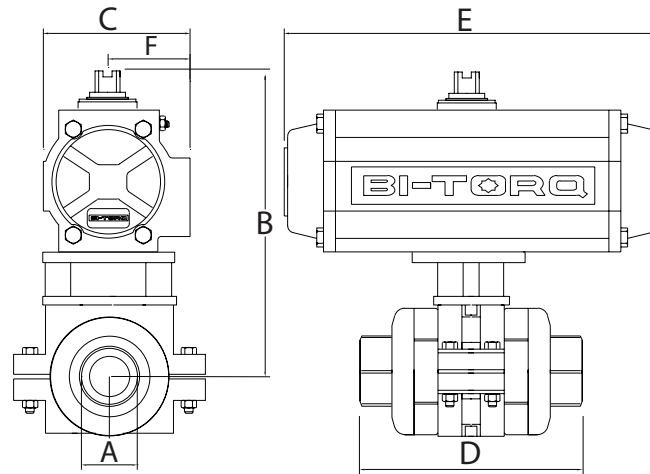
IG-3P (PVC) & IV-3P (CPVC) SERIES TRUE UNION BALL VALVES

PNEUMATIC ACTUATORS

PNEUMATIC FEATURES

- Rack and pinion design
- NAMUR accessory mounting on models 52 and higher
- Spring return and double acting
- Visual indicators
- Optional SS construction

ALL STANDARD ACTUATORS SIZED FOR 80 PSI AIR SUPPLY; PLEASE CONSULT FACTORY FOR OTHER COMBINATIONS

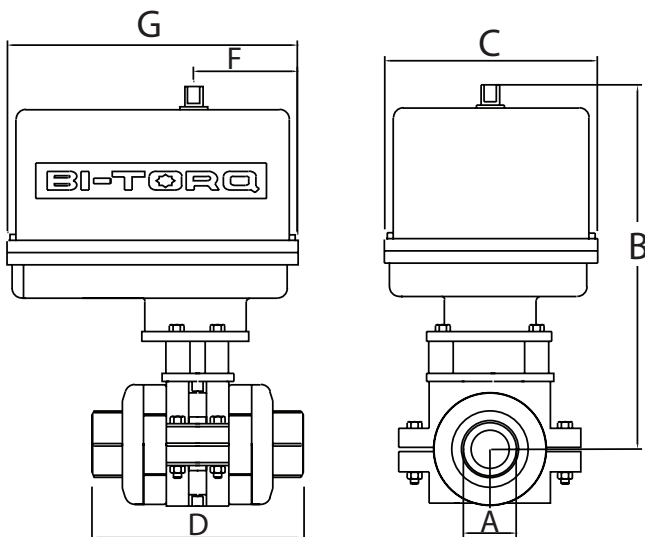


FOR A SELECTION OF AUTOMATION ACCESSORIES WE OFFER, REFER TO PAGE 31 OR VISIT STRAHMANGROUP.COM

DOUBLE ACTING ASSEMBLY DIMENSIONS							
A	B	C	D	E	F	ACT.	WT.
1/2"	4.84	1.78	4.37	4.65	0.89	32DA	2.52
3/4"	5.45	1.78	4.61	4.65	0.89	32DA	2.86
1"	5.47	1.78	5.31	4.65	0.89	32DA	3.29
1-1/4"	6.38	1.78	6.02	4.65	0.89	32DA	4.30
1-1/2"	7.61	2.79	6.14	5.49	1.61	52DA	6.03
2"	8.01	2.79	7.32	5.49	1.61	52DA	7.98
2-1/2"	8.65	3.17	9.25	6.38	1.77	63DA	17.42
3"	9.16	3.17	10.63	6.38	1.77	63DA	19.34
4"	10.52	3.72	12.13	8.15	2.07	75DA	28.07

SPRING RETURN ASSEMBLY DIMENSIONS							
A	B	C	D	E	F	ACT.	WT.
1/2"	5.80	2.79	4.37	5.49	1.61	52SR	4.12
3/4"	6.41	2.79	4.61	5.49	1.61	52SR	4.46
1"	6.43	2.79	5.31	5.49	1.61	52SR	4.89
1-1/4"	7.34	2.79	6.02	5.49	1.61	52SR	5.90
1-1/2"	8.05	3.17	6.14	6.38	1.77	63SR	8.18
2"	8.45	3.17	7.32	6.38	1.77	63SR	10.13
2-1/2"	10.26	4.85	9.25	10.69	2.68	100SR	30.07
3"	10.77	4.85	10.63	10.69	2.68	100SR	32.09
4"	12.66	5.39	12.13	12.91	2.87	115SR	46.82

ELECTRIC ACTUATORS



NEMA 4 ELECTRIC ASSEMBLY DIMENSIONS								
A	B	C	D	E	F	G	ACT.	WT.
1/2"	7.16	4.00	4.37	5.63	2.30	5.63	100E	6.47
3/4"	7.77	4.00	4.61	5.63	2.30	5.63	100E	6.81
1"	7.79	4.00	5.31	5.63	2.30	5.63	100E	7.24
1-1/4"	8.70	4.00	6.02	5.63	2.30	5.63	100E	8.25
1-1/2"	8.97	4.00	6.14	5.63	2.30	5.63	100E	9.73
2"	10.37	4.25	7.32	6.88	2.43	6.88	200E	12.68
2-1/2"	10.57	4.25	9.25	6.88	2.43	6.88	300E	22.62
3"	13.20*	7.00	10.63	6.88	2.38	6.88	400E	23.04
4"	13.91*	7.00	12.13	7.00	2.38	7.00	675E	37.47

* DECLUTCHABLE MANUAL OVERRIDE INCLUDED IN DIMENSIONS

ELECTRIC FEATURES

- 120VAC, 220VAC, 24VAC, 12VDC and 24VDC
- NEMA 4, 4X and 7 housings
- Manual overrides
- Visual indicators
- Open/close or modulating service

FOR NEMA 7 ELECTRIC DIMENSIONS OR OTHER CONFIGURATIONS, CONTACT OUR SALES STAFF.

FOR MORE INFORMATION ON BI-TORQ ACTUATORS, REFER TO OUR INDIVIDUAL PNEUMATIC AND ELECTRIC CATALOGS, OR VISIT STRAHMANGROUP.COM

IC-3P (PVC) & MV-3P SERIES (CPVC) TRUE UNION BALL VALVES

BILL OF MATERIALS

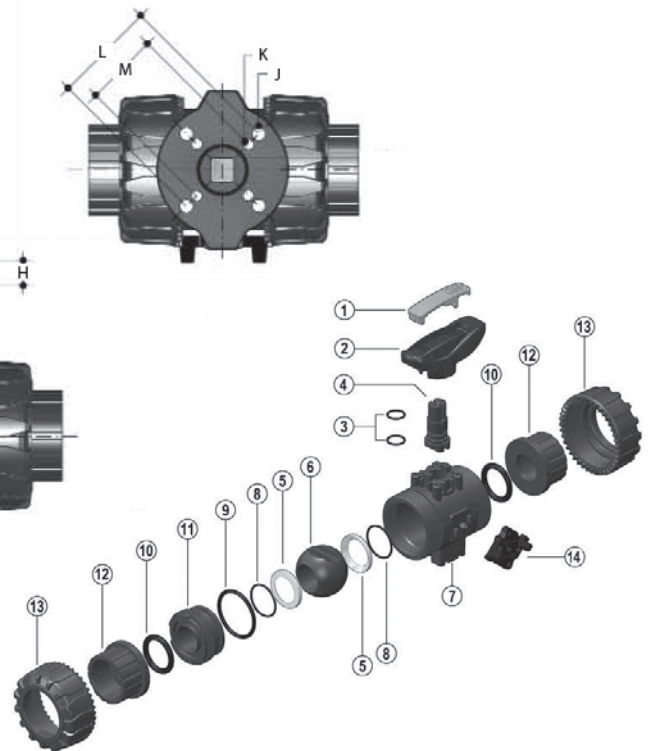
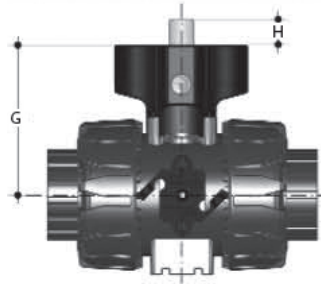
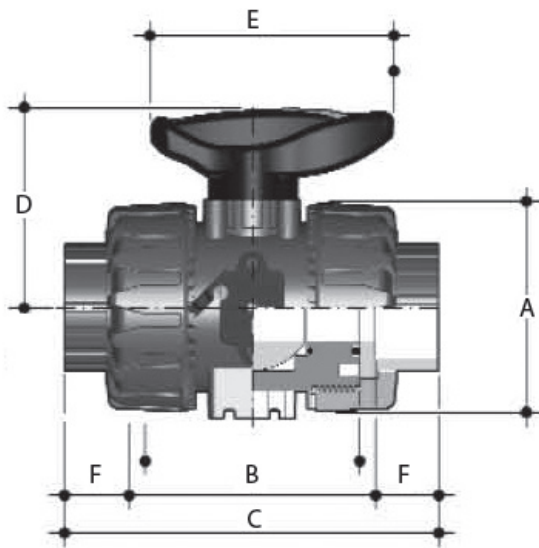
PART #	NAME	MATERIAL	OPTIONAL MATERIAL	QTY
1	INSERT	PVC	CPVC	1
2	HANDLE	PVC	CPVC	1
3	STEM O-RING	EPDM	VITON	2
4	STEM	PVC	CPVC	1
5	SEAT	PTFE	---	2
6	BALL	PVC	CPVC	1
7	BODY	PVC	CPVC	1
8	SEAT O-RING	EPDM	VITON	2
9	BODY O-RING	EPDM	VITON	2
10	SOCKET O-RING	EPDM	VITON	2
11	CARRIER/STOP RING	PVC	CPVC	1
12	END CONNECTOR	PVC	CPVC	2
13	UNION NUT	PVC	CPVC	2
14	DUAL BLOCK	POM	---	1

VALVE FEATURES

- 2-Way PVC and CPVC valves
- 1/2" through 4" size range
- TFE® seats
- EPDM or Viton® body o-rings
- True union style
- Threaded or socket weld ends
- Patented stem design to help prevent leakage in the event of stem damage

PRESSURE RATING
232 PSI at 73°F

NOTE: MAXIMUM TEMPERATURE RATING FOR STANDARD ACTUATORS IS 150°F (ELECTRIC) AND 180°F (PNEUMATIC). SPECIAL SEALS OR HEAT EXTENSIONS ARE AVAILABLE FOR HIGH TEMPERATURE SERVICE.



DIMENSIONAL DATA

SIZE	A	B	C	D	E	F	G	H	J	K	L	M	CV	WT.
1/2"	2.13	2.97	4.37	2.13	2.64	0.70	2.28	0.47	0.22	0.22	F04	F03	14.0	0.46
3/4"	2.56	3.19	4.61	2.56	3.35	0.71	2.89	0.47	0.26	0.22	F05	F03	27.0	0.74
1"	2.87	3.54	5.31	2.74	3.35	0.89	2.91	0.47	0.26	0.22	F05	F03	53.9	0.99
1-1/4"	3.39	4.05	6.02	3.25	4.25	0.99	3.82	0.63	0.33	0.26	F05	F07	77.0	1.49
1-1/2"	3.86	4.20	6.14	3.50	4.25	0.97	4.09	0.63	0.33	0.26	F05	F07	123	2.11
2"	4.80	4.99	7.32	4.25	5.28	1.17	4.49	0.63	0.33	0.26	F05	F07	238	3.68
2-1/2"	6.46	6.64	9.25	6.46	8.86	1.31	6.46	0.63	0.35	N/A	N/A	F07	368	9.69
3"	7.99	7.83	10.63	6.97	12.87	1.4	6.97	0.63	0.35	N/A	N/A	F07	497	16.00
4"	9.37	9.17	12.13	7.68	15.16	1.48	7.68	0.75	0.35	N/A	N/A	F07	664	24.50

THE MANUAL VERSION OF THIS MODEL STARTS WITH AN "M"

ALL VALVES ARE 100% ELECTRONICALLY TESTED AT 80 PSI IN BOTH THE OPEN AND CLOSED POSITIONS