



# GLOBE VALVES

## INSTALLATION INSTRUCTIONS

### Extracting Valve Ring

1. Remove Bonnet (11) and Stem Assembly (6) by opening valve to wide open position and removing Bonnet Nut (11) and working assembly free of body.
2. Insert Pulling Tool into ring pocket making sure that puller housing is located evenly on neck of valve body. Slotted cap 'A' should rest on Lantern (8) as shown in Fig. 1. Rotate until pin 'B' can be pressed into slot and hold while knurled nut 'C' counter clockwise until refusal.
3. With an adjustable wrench, turn hex nut 'D' in a clockwise direction until internal parts are fully extracted, as shown in Fig. 2.
4. Spin hex nut all the way back on so that withdrawn parts can be fully extended from puller housing, then turn knurled nut 'C' clockwise which will release parts from puller.

### To Insert New Valve Ring

1. Place Valve Ring (3), including O-ring, on Ring Seater tool as shown in Fig. 3 and drive into valve body as far as it will go keeping Ring Seater as straight as possible.
2. Drop Lantern (8) into body with large I.D. and wider band facing up making sure Lantern (8) sits evenly on ring.
3. Before installing Bonnet Assembly (10) into body, fully retract stem making sure spring is located between back of Piston (4) and Bonnet (10). Install into body. Tighten down Bonnet Nut (11) until refusal.

**Note: When installing new spring, Split Nut (5), Piston (4) must be disassembled from Stem (6). Install new spring over stem against Bonnet (10). Reassemble Split Nut (5) and Piston (4). Hold spring against Bonnet (10).**

**Precautions: Make sure ring pocket is free of scale, rust or other obstruction before replacing valve ring. Make sure parts are replaced in same order as removed.**

**Base ring no longer necessary (older valves only).**



Spring to be installed in back of piston  
Large I.D. facing up



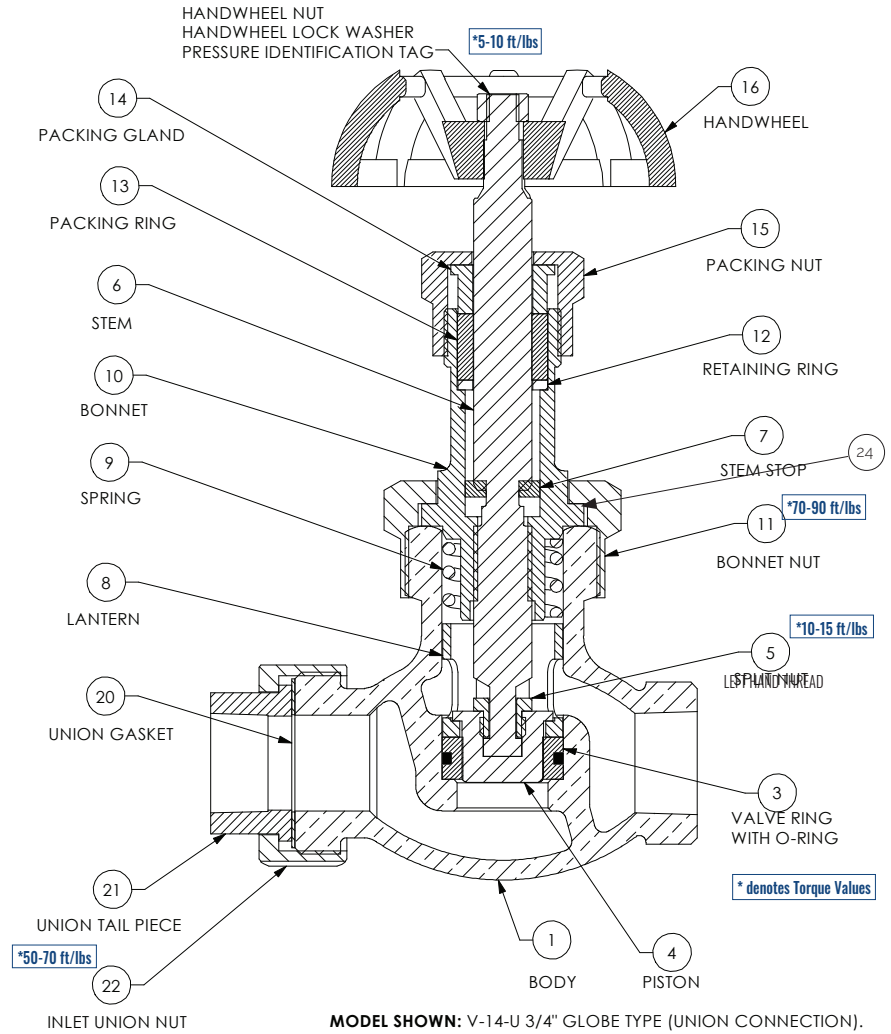
ASSEMBLED AND/OR MADE IN THE USA



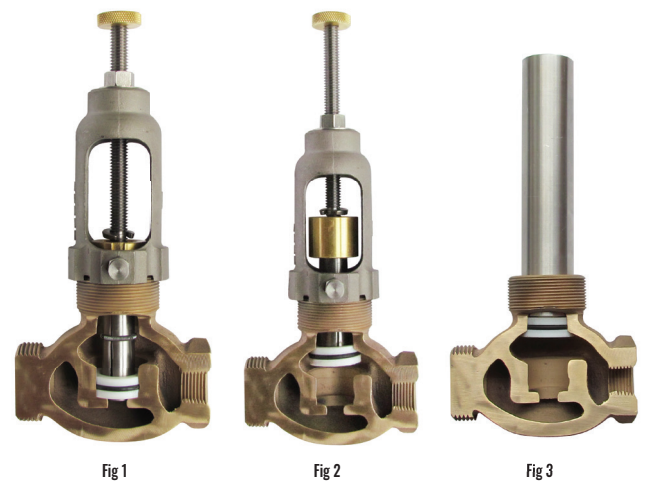
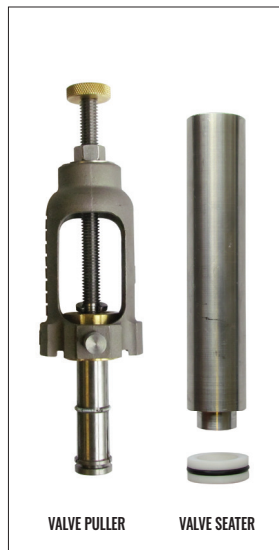
intertek

## 3/4" SOFT SEAL PISTON VALVE

| PARTS FOR BRONZE UNIT          |  |                    |
|--------------------------------|--|--------------------|
| ITEM NO.                       | PART                                     | PRODUCT CODE       |
| 1                              | BODY GLOBE THREADED CONNECTION           | GVBDPCPS           |
| 1                              | BODY GLOBE UNION CONNECTION              | GVBDPFB            |
| 3*                             | VALVE RING WITH O-RING Elas./PTFE        | GVRING             |
| 4*                             | PISTON (includes Item 5) 316 SST         | GVPISTPLITASSY     |
| 5                              | SPLIT NUT (LEFT HAND THREAD) 316 SST     | GVSPITNUT          |
| 6*                             | STEM (includes Item 7) 416 SST           | MUSTEMKIT          |
| 7*                             | STEM STOP (set of 6) 304 SST             | GVSSTP             |
| 8*                             | LANTERN Brass                            | GVLANTR            |
| 9*                             | SPRING (set of 6) 302 SST                | SPRG8027S          |
| 10*                            | BONNET ASSEMBLY Bronze                   | GVBNB              |
| 11*                            | BONNET NUT Brass                         | GVBNNUB            |
| 12                             | RETAINING RING (set of 6) 302 SST        | GVRRING            |
| 13                             | PACKING RING (3 pc. Virgin PTFE)         | GVPACKCHEV         |
| 14                             | PACKING GLAND                            | GVGLBR             |
| 15                             | PACKING NUT Brass                        | GVPNUTBR           |
| 16                             | BLACK HAND WHEEL Cast Iron               | GVHWFBLACK         |
| 16                             | RED HAND WHEEL Cast Iron                 | GVHWFBR            |
| 17                             | HAND WHEEL NUT (set of 6) 303 SST        | GVLNUTSS           |
| 20                             | UNION GASKET (set of 6) Virgin PTFE      | GVGA               |
| 21                             | UNION TAIL PIECE Brass                   | GVUTAILBR          |
| 22                             | INLET UNION NUT Brass                    | GVUNUTBR           |
| 23                             | ANGLE RECESSED GASKET Garlock            | RECGA              |
| PARTS FOR STAINLESS STEEL UNIT |  |                    |
| 1                              | BODY GLOBE UNION CONNECTION 316 SST      | GVBDPSS            |
| 1                              | BODY GLOBE ANGLE CONNECTION 316 SST      | AVBDPSS            |
| 8                              | LANTERN 304 SST                          | GVLANSS            |
| 10*                            | BONNET ASSEMBLY 303 SST                  | GVBNSS             |
| 11*                            | BONNET NUT 303 SST                       | GVBNNUSS           |
| 14                             | PACKING GLAND 303 SST                    | GVGLSS             |
| 15                             | PACKING NUT 303 SST                      | GVPNUTSS           |
| 16                             | BLUE HAND WHEEL Cast Iron                | GVHWFBLUE          |
| 16                             | ORANGE HAND WHEEL Cast Iron              | GVHWFOR            |
| 20                             | UNION GASKET SPIRAL WOUND (set of 6) SST | GASW015001000063MA |
| 21                             | UNION TAIL PIECE 303 SST                 | GVUTAILSS          |
| 22                             | INLET UNION NUT 303 SST                  | GVUNUTSS           |
| 24                             | GLOBE VALVE GASKET Bonn/Body SST         | GVBNGA             |
| OPTIONAL TOOLS                 |  |                    |
| -                              | VALVE PULLER                             | GVPULLER           |
| -                              | VALVE SEATER                             | GVSEATER           |



**MODEL SHOWN:** V-14-U 3/4" GLOBE TYPE (UNION CONNECTION).  
**MODELS AVAILABLE:** V-14-S 3/4" GLOBE TYPE (SCREWED ENDS).  
 V-18 3/4" ANGLE TYPE (SCREWED ENDS).  
**SST MODELS:** V-65-SU, V-65-SS AND V-18-SS



\* DENOTES PARTS INCLUDED AS PART OF A SERVICE KIT MUCKITBR (BRONZE) OR MUCKITSS (STAINLESS STEEL)