



M-156N AND M-756 SINGLE VALVE HOSE STATION

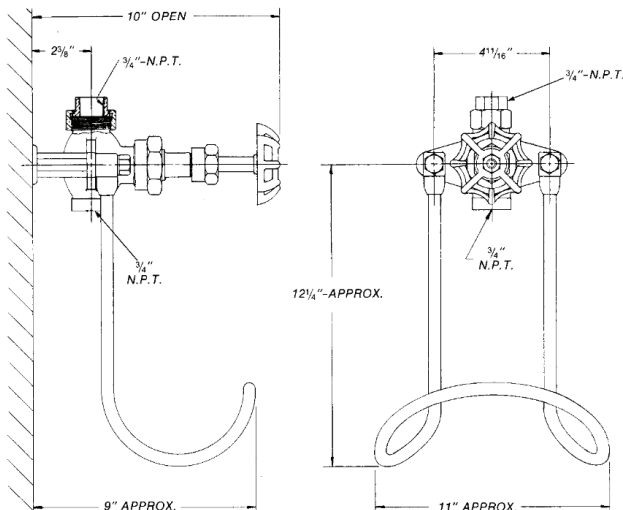
Single valve hose station for hot or cold water provides compact and easy to use system for wash down.

Compact. Durable. Reliable.

Streamline your sanitation process with the Strahman M-156N OR M-756 Single Valve Hose Station. Designed for industrial environments where cleanliness is crucial, they delivers a simple, rugged solution for controlled hot or cold water washdown.

Built with all stainless steel components and easy wall mounting, the M-156N provides dependable operation in food processing plants, chemical facilities, manufacturing, and other high-demand settings.

- Maximum operating temperature: 200°F/93°C
- Maximum working pressure: 150 psi



M-156N



M-756

Maximum water temperature: 200°F (93°C)
Optimum working pressure range: (not to exceed 150 psi)
Spray nozzle and hose sold separately.