

IC-3W (PVC) SERIES 3-WAY BALL VALVES

BILL OF MATERIALS

PART #	NAME	MATERIAL	OPTIONAL MATERIAL	QTY
1	HANDLE	PVC	---	1
2	STEM O-RING	EPDM	VITON	1
3	STEM	PVC	CPVC	1
4	BODY	PVC	CPVC	1
5	BALL	PVC	CPVC	1
6	BODY O-RING	EPDM	VITON	3
7	BALL SEAT SUPPORT	TFE	---	3
8	BALL SEAT	TFE	---	3
9	SOCKET O-RING	EPDM	VITON	3
10	UNION NUT	PVC	CPVC	3
11	END CONNECTOR	PVC	CPVC	3
12	END CONNECTOR O-RING	EPDM	VITON	3

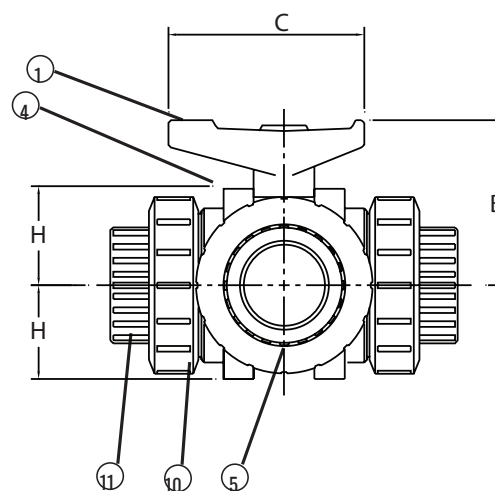
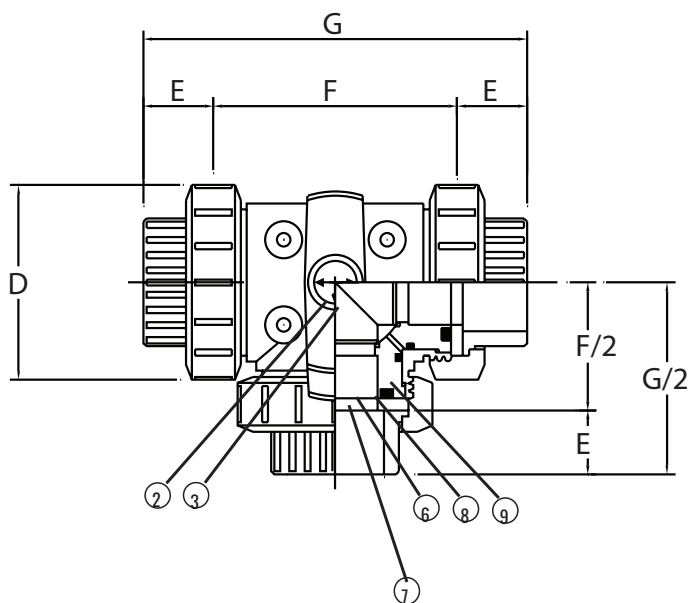
VALVE FEATURES

- 3-Way PVC (CPVC optional)
- 1/2" through 2" size range
- TFE® seats
- EPDM or Viton® body o-rings
- True union style
- Threaded or socket weld ends
- 3-seat design ideal for automation

NOTE: MAXIMUM TEMPERATURE RATING FOR STANDARD ACTUATORS IS 150°F (ELECTRIC) AND 180°(PNEUMATIC). SPECIAL SEALS OR HEAT EXTENSIONS ARE AVAILABLE FOR HIGH TEMPERATURE SERVICE.

PRESSURE RATING
232 PSI at 73°F

SEE PAGE 29 FOR AVAILABLE FLOW PATTERNS



DIMENSIONAL DATA

SIZE	B	C	D	E	F	G	H	J	K	CV*	WT.
1/2"	2.00	2.56	2.13	0.71	3.15	4.96	4.25	0.94	0.94	13.7	0.68
3/4"	2.36	2.99	2.56	0.71	3.94	5.76	5.04	0.98	1.22	26.6	1.21
1"	2.64	3.35	2.87	0.89	4.33	6.56	5.67	1.06	1.57	53.20	1.74
1-1/4"	2.95	3.94	3.39	0.99	5.16	7.71	6.81	1.26	1.61	73.50	2.81
1-1/2"	3.50	4.41	3.86	0.97	5.83	8.32	7.76	1.28	2.09	119	3.66
2"	4.13	5.39	4.80	1.17	7.05	9.99	8.12	1.38	2.28	224	6.17

* STRAIGHT THROUGH PORT

THE MANUAL VERSION OF THIS MODEL STARTS WITH AN "M"

ALL VALVES ARE 100% ELECTRONICALLY TESTED AT 80 PSI IN BOTH THE OPEN AND CLOSED POSITIONS