



HYDRO-PRO 150[®]

Heavy Duty Water Saver Spray Nozzle

Precision-made nozzles combining modern and innovative engineering.

Strahman water spray guns are the best on the market. While designed for efficiency and comfort, the Hydro-Pro 150 will withstand the most rugged applications.

Its lightweight design (less than 2 lbs.) helps facilitate the constant and repetitive spraying motion when cleaning, helping to reduce operator fatigue. In addition, the patented trigger mechanism locks the desired spray pattern in place without maintaining pressure on the lever. This feature further reduces hand fatigue and misdirected sprays. The HP-150 is comfortable to hold with no discernable heat transfer to the hand—easy to maintain and service with replaceable parts to keep the spray gun working for a long, long time.

Features:

- All Stainless Steel housing and construction for strength and durability
- Lightweight at less than 2 lbs.
- A patented locking trigger that maintains a steady flow
- Low Flow Option is available
- Replaceable covers in Black, White, and Red
- One Year Limited Warranty



Patented locking trigger mechanism

NOZZLE FLOW TEST		
WATER PRESSURE PSI	FLOW (GPM)	
	STANDARD NOZZLE	LOW FLOW NOZZLE
20	3 ¼	2 ¼
30	4 ¼	2 ¾
40	5 ½	3 ¼
50	5 7/8	3 ¾
60	6 ¾	4 ½
70	7 ½	4 ½
80	7 ¾	4 7/8
90	8 ¼	5
100	9	5 ½



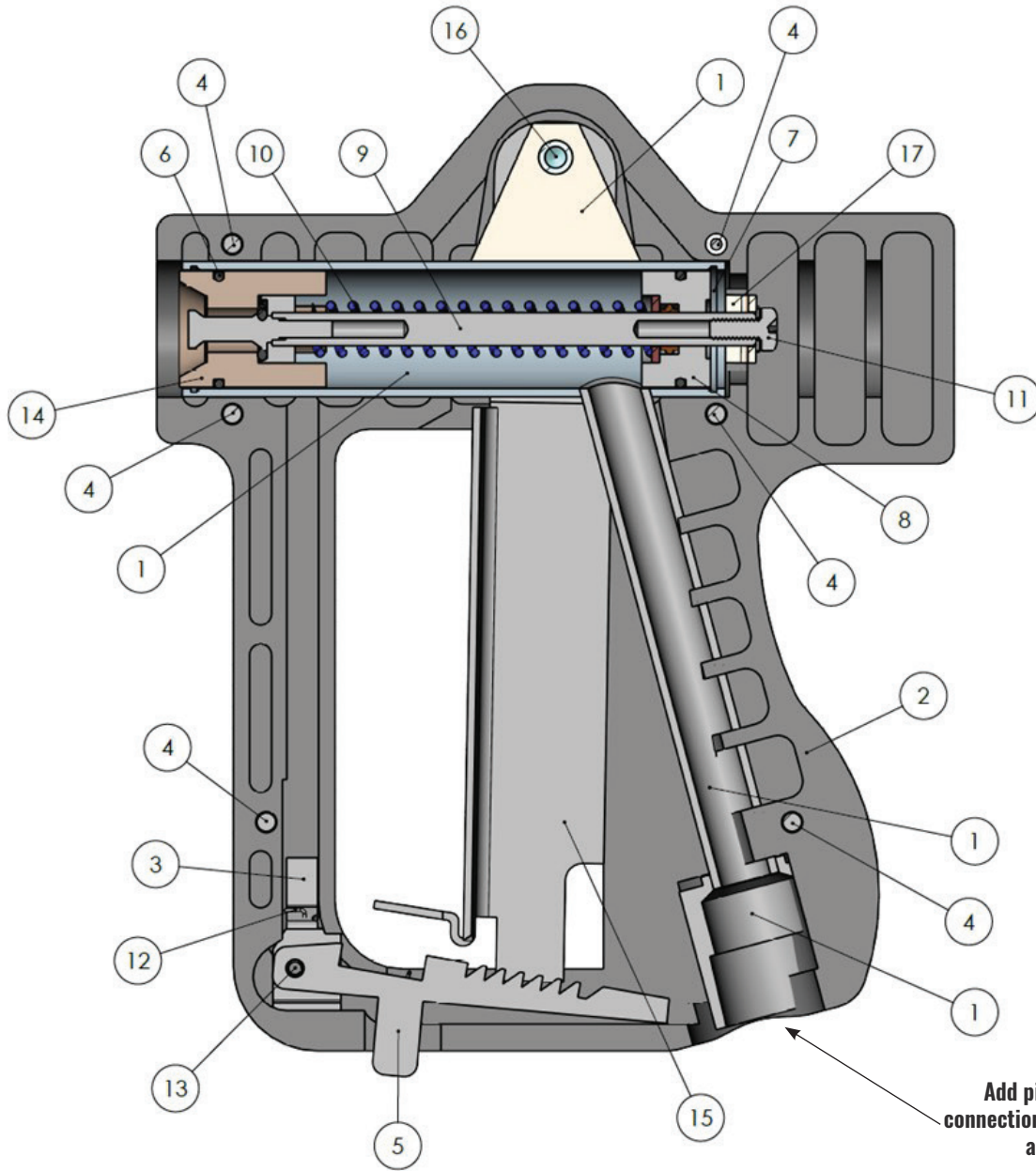
BLACK

RED

WHITE

Maximum water temperature: 200°F (93°C)
 Maximum working pressure: 150PSI

Note: Not suitable for steam service



Add pipe sealant at this connection; tighten to ensure an adequate seal.

PARTS LIST		
PART NO.	ORDER NUMBER	DESCRIPTION
1	HPBODYASSM	HYDRO-PRO 150® BODY
2*	WSHP1COVER0007	RENEWABLE COVER - BLACK
	WSHP1COVER0008	RENEWABLE COVER - RED
	WSHP1COVER0009	RENEWABLE COVER - WHITE
3	HP1HINGESS	RATCHET HINGE, SST
4*	HP1SCR	COVER SCREWS (SET OF 6) (NOT SHOWN)
5	HP150RACHETASSY	RATCHET ASSEMBLY (INCLUDES ITEM NO. 3, NO. 12, AND NO. 13)

PARTS LIST		
PART NO.	ORDER NUMBER	DESCRIPTION
6*	ORNG18MM02MMEA	O-RINGS (SET OF 6)
7*	HP1SNAPRINGSS	SNAP RETAINING RING, SST
8*	HP1HOUSASSY	HOUSING, SST
9*	HP150STEMASSY	STEM ASSEMBLY
10	SPRG12339S3SS	STEM SPRING (SET OF 6), SST
11	MSN8320038LWOZ	STEM SCREW & WASHER (SET OF 6)
12	SPRG12410S5SS	RATCHET SPRING, SST

PARTS LIST		
PART NO.	ORDER NUMBER	DESCRIPTION
13	HP1SPINSS	RATCHET SPRING PIN (SET OF 6) SST
14	HP1SEAT	HP 150 SEAT, SST
	HP1SEATLFSS	HP 150 LOW FLOW SEAT, SST
15	HP1LARM	LEVER ARM
16	WSHP1LPIVO000	LEVER ARM PIVOT ASSY
17	HP1UBRKSS	U-BRACKET, SST
SERVICE KITS INCLUDE PART NO. 2, NO. 4, NO. 6, NO. 7, NO. 8 HOUSING, AND NO. 9)		

* IS ALSO A PART OF A COMPLETE SERVICE KIT