



M-120 SINGLE VALVE

Hot or Cold Water Hose Station

Compact. Durable. Reliable.

Streamline your sanitation process with the Strahman M-120 Single Valve Hose Station. Designed for industrial environments where cleanliness is crucial, the M-120 delivers a simple, rugged solution for controlled hot or cold water washdown.

Built with all stainless steel components and easy wall mounting, the M-120 provides dependable operation in food processing plants, chemical facilities, manufacturing, and other high-demand settings.

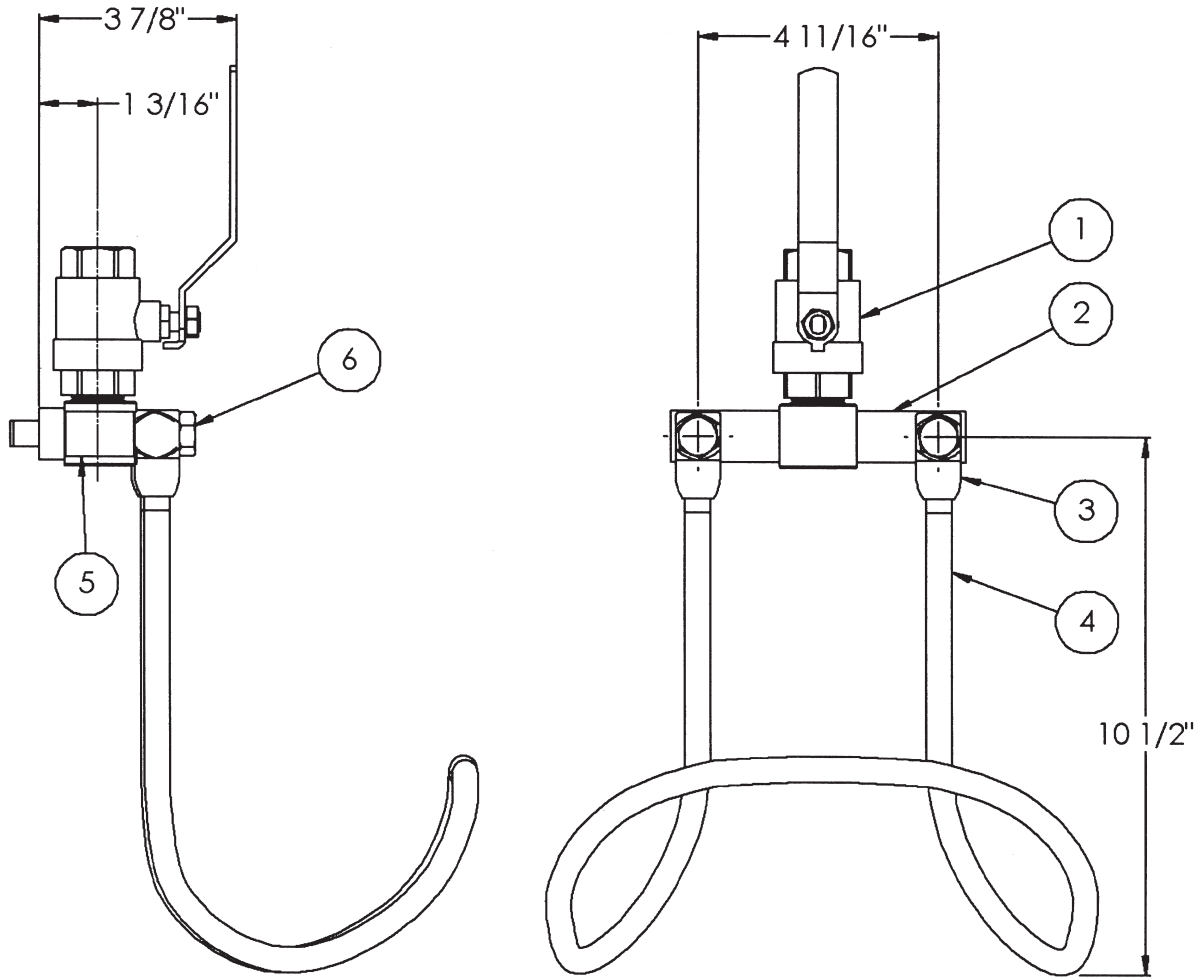
KEY FEATURES

- **Recessed Design:** Conceals internal components of mixing hose stations from dirt, damage, and tampering for improved longevity.
- **Durable Construction:** All stainless steel construction provides durable and corrosion-resistant for long life in harsh environments.
- **Precise Temperature Control:** Delivers water from 80°F to 160°F, with output maintained to $\pm 3^\circ\text{F}$ for consistent cleaning results.
- **Enhanced User Safety:** Anti-scald and chill protection with an adjustable temperature limit stop.
- **Hydraulically Actuated Thermostat:** Liquid-filled actuator responds quickly to even minor temperature changes, providing stable output.
- **Pressure Compensation:** Automatically senses and adjusts for up to a 50% fluctuation in inlet pressure maintaining consistent operation.



M-120 Wall-Mounted Hose Station shown with premium hose assembly and S-70 Series nozzle.

Spray nozzle and hose sold separately.



PARTS							
PART NO.	PART	ORDER NO.	MATERIAL	PART NO.	PART	ORDER NO.	MATERIAL
1	BALL VALVE	BV0075BBLUE	SST316	3, 4, 6	HOSE RACK WITH FITTINGS* (Includes Hose rack, lock washers, hose rack connector, and u-bolt)	HRCOMPLETE0002	SST302
2	MOUNTING PLATE	M120PLATEA	SST304	5	HEX SPACER	M120HEX	SST303

© 1921-2023 Strahman Group \ Published 08.3.23

ORDERING INFORMATION & PARTS

UNIT INCLUDES A STAINLESS STEEL HOSE RACK. HOSE AND SPRAY NOZZLE SOLD SEPARATELY.

REFER TO THE PARTS LIST FOR MATERIALS AND REPLACEMENT OPTIONS. ALL PARTS ARE BUILT TO LAST, USING ASTM-RATED STAINLESS STEEL, BRASS, AND BRONZE COMPONENTS.