



# M-200TS

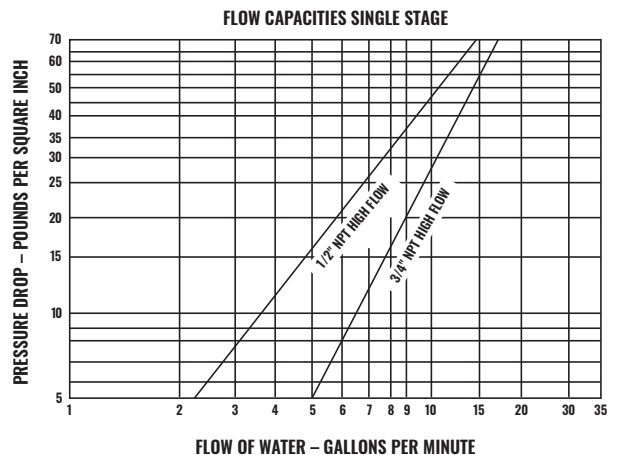
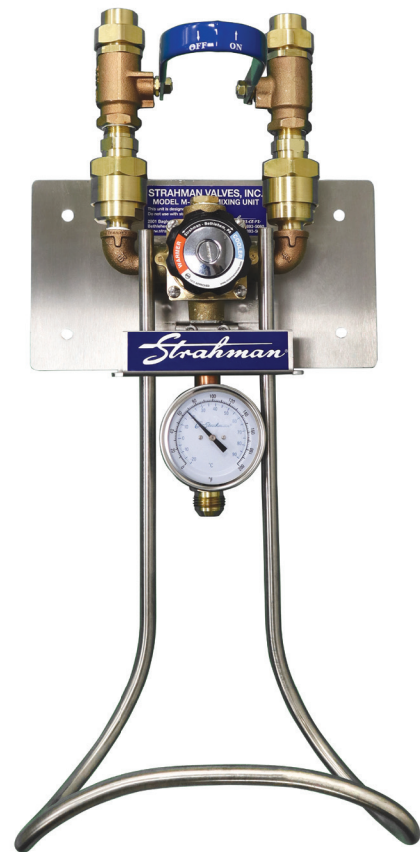
## Thermostatically Controlled Hot & Cold Water Mixing Hose Station

**Precision. Safety. Performance.**

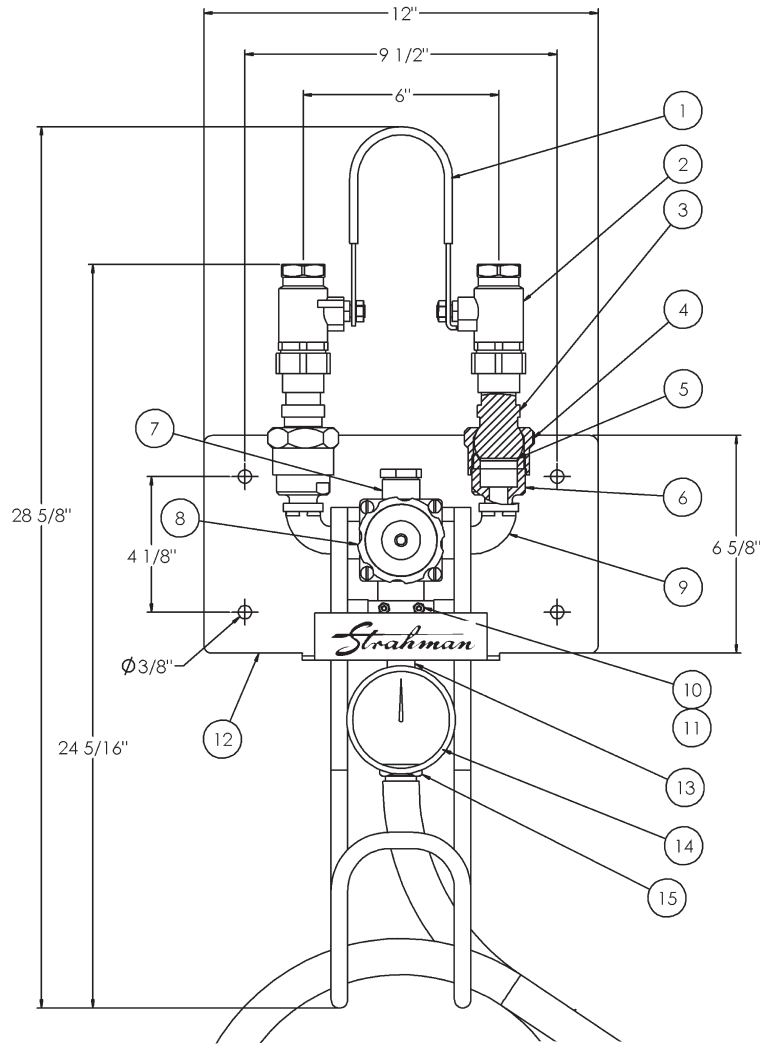
Engineered for industrial sanitation, the M-200TS Mixing Hose Station combines rugged construction with precision engineering to deliver consistent, thermostatically controlled water for demanding washdown applications. Engineered for durability and ease of maintenance, the M-200TS features a solid, liquid-filled thermostat that ensures accurate water temperature control from cold up to 160°F (71°C).

### KEY FEATURES

- **Durable Construction:** Built from bronze or chrome-plated brass with stainless steel internals for long-lasting resistance to corrosion.
- **Precise Temperature Control:** Delivers water from 80°F to 160°F, with output maintained to  $\pm 3^\circ\text{F}$  for consistent cleaning results.
- **Enhanced User Safety:** Anti-scald and chill protection with an adjustable temperature limit stop.
- **Hydraulically Actuated Thermostat:** Liquid-filled actuator responds quickly to even minor temperature changes, providing stable output.
- **Pressure Compensation:** Automatically senses and adjusts for up to a 50% fluctuation in inlet pressure maintaining consistent operation.
- **Easy Maintenance:** Modular piston assembly and replaceable internal components allow quick cleaning and service.



SPECIFICATIONS			
MODEL	INLET WATER TEMP	WORKING PRESSURE	FLOW RATE (GPM)
1/2" Low Flow	80°F- 160°F (27°C - 71°C)	10 - 125 psi	5 - 7 GPM
3/4" High Flow	80°F- 160°F (27°C - 71°C)	10 - 125 psi	10 - 12 GPM



Maximum water temperature:  
160°F (71°C)

Maximum working pressure:  
125 psi

Minimum working pressure:  
10 psi hot/10 psi cold (balanced pressure)

### REPLACEMENT PARTS LIST

PART NO.	PRODUCT CODE	DESCRIPTION (MATERIAL)	QTY	PART NO.	PRODUCT CODE	DESCRIPTION (MATERIAL)	QTY
1	BVHANDUNI	UNILEVER (SST)	1	9	ELBW0050MFB	STREET ELBOW (SST)	2
2	BV0075BBLUE	BALL VALVE (SST)	2	10	UBN1032	U-BOLT (SST)	1
3	BCBRG	BALL CHECK VALVE (CHROME-PLATED BRASS W/SST)	2	11	LNUT1032SERMC	#10 NUT (SST)	2
4	BCNUTBR	BALL CHECK UNION NUT (CHROME-PLATED BRASS)	2	12	M200WPL	MOUNTING PLATE (SST)	1
5	BCGAC	BALL CHECK GASKET (COPPER PTFE)	2	13	NIPP0050S400350BN	NIPPLE (CHROME-PLATED BRASS) OR SST	1
6	M200BCADAPB	BALL CHECK VALVE ADAPTER (CHROME-PLATED BRASS)	2	14	DMTG	TEMPERATURE GAUGE (SST)	1
7	M200CV0050BR	THERMO CONTROL VALVE (CHROME-PLATED BRASS W/SST)	1	15	TEE0050B	TEE (CHROME-PLATED BRASS OR SST)	1
8	M200KNOBASSY	CONTROL KNOB ASSEMBLY (NYLON)	1				

#### ORDERING INFORMATION & PARTS

UNIT INCLUDES A STAINLESS STEEL HOSE RACK. HOSE AND SPRAY NOZZLE SOLD SEPARATELY.

REFER TO THE PARTS LIST FOR MATERIALS AND REPLACEMENT OPTIONS. ALL PARTS ARE BUILT TO LAST, USING ASTM-RATED STAINLESS STEEL, BRASS, AND BRONZE COMPONENTS.