



M-5000TG SERIES

Steam/Cold Water Washdown Station

Instant Hot Water. Total Control. Maximum Safety.

The Strahman M-5000TG Series in bronze delivers instant hot water by blending steam and cold water at the point of use. Designed with safety, durability, and efficiency in mind, this unit is ideal for facilities requiring consistent high-performance washdown capabilities.

KEY FEATURES

- **Direct Diffuse® Steam Trap:** Rapidly and efficiently eliminates condensate from steam lines, reducing system wear and failure.
- **Automatic Steam Shut-off:** Activates if cold water pressure drops below 50 psi to prevent dangerous steam discharge.
- **Thermodynamic Blending Chamber:** Ensures consistent, accurate temperature mixing.
- **Dial-Type Temperature Gauge:** Displays exact wash water temperature in both °F and °C for optimal safety and control.
- **Premium Materials:** All components are built to ASTM standards, ensuring durability and long-term reliability.



Built for Safety and Simplicity

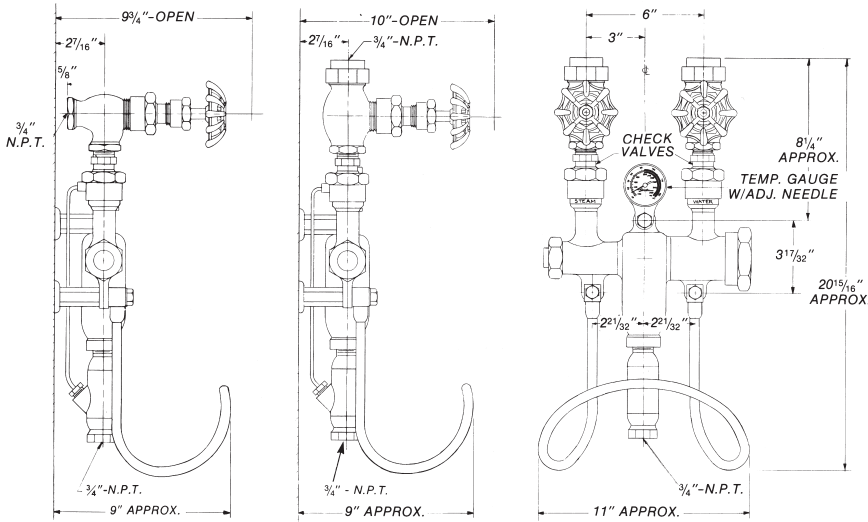
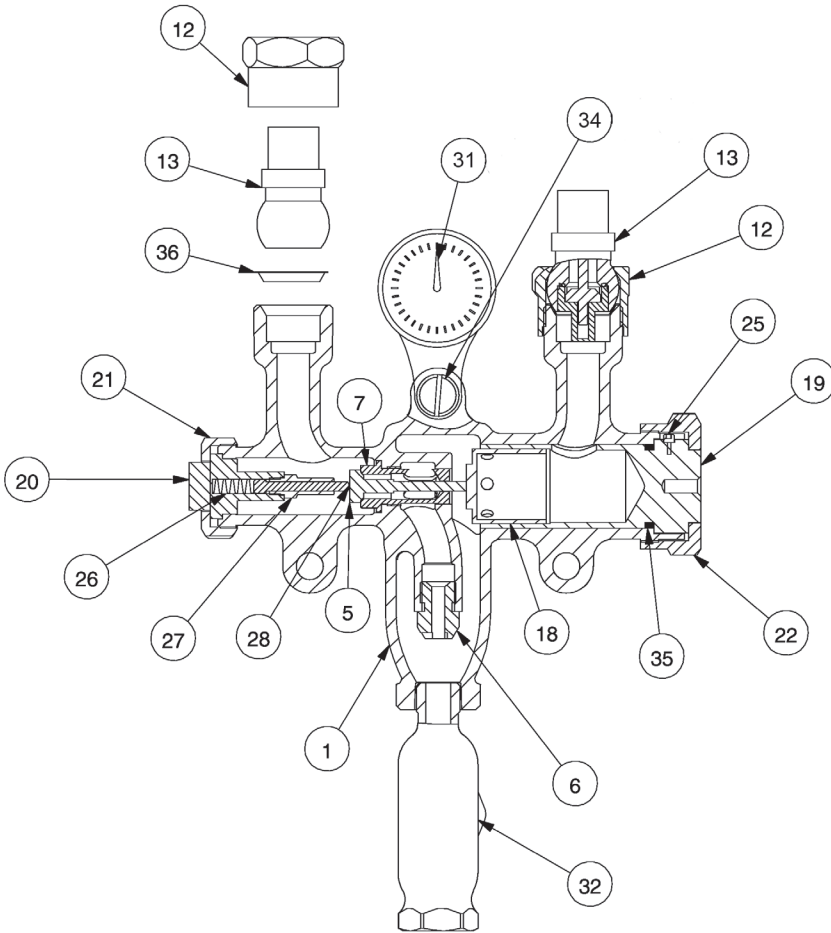
- Prevents hazardous steam burns through controlled blending and automatic safeguards.
- Easy manual control of steam and cold water valves allows users to fine-tune water temperature on demand.
- Designed for easy installation: wall-mounted, recessed, or pedestal configurations.

SPECIFICATIONS

MODEL	STEAM PRESSURE	WATER PRESSURE	FLOW RATE (GPM)
M-5000L	80 - 95 psi	50 - 80 psi	5 - 7 GPM
M-5000M	96 - 130 psi	50 - 80 psi	4.5 - 6 GPM
M-5000H	131 - 150 psi	50 - 80 psi	4.5 - 6 GPM

- MAX WATER TEMPERATURE: 200°F (93°C)
- OPTIMAL PRESSURE RANGE: ≤150 PSI

When washdown performance, safety, and durability matter—trust the M-5000TG Series.



Note: Front view shown with Globe Valves.

INSTALLATION & MAINTENANCE NOTES

- USE A STRAINER AND STEAM TRAP TO MAINTAIN SYSTEM INTEGRITY AND PROLONG VALVE LIFE.
- STEAM PRESSURE IS REQUIRED FOR OPTIMUM PERFORMANCE
- SHUT DOWN UNIT DURING EXTENDED PERIODS OF NON-USE.
- STEAM TRAP CAN BE INSTALLED HORIZONTALLY OR VERTICALLY; THERMODYNAMIC TRAP (THT) MUST REMAIN LEVEL.

ORDERING INFORMATION & PARTS

THIS BRONZE UNIT INCLUDES A STAINLESS STEEL HOSE RACK AND COMES WITH OUR PATENTED DIRECT DIFFUSE® STEAM TRAP. HOSE AND SPRAY NOZZLE SOLD SEPARATELY.

REFER TO THE PARTS LIST FOR MATERIALS AND REPLACEMENT OPTIONS. ALL PARTS ARE BUILT TO LAST, USING ASTM-RATED STAINLESS STEEL, BRASS, AND BRONZE COMPONENTS.

REPLACEMENT PARTS LIST

PART NO.	PRODUCT CODE	DESCRIPTION (MATERIAL)
1	M500BODYCKIT	BODY (includes parts 6 & 7) (ASTM CA836)
2	HH0050130200OZ	HOSE RACK CAP SCREW (not shown) (SET OF 6) (SST304, ASTM A276)
3	WAT0050	HOSE RACK LOCK WASHER (not shown) (SET OF 6) (SST410)
5	MU500POPTCOMPLETE0000	STEAM POPPET (L) (SST303, ASTM A743)
5	MU500POPTCOMPLETE0001	STEAM POPPET (M) (SST303, ASTM A743)
5	MU500POPTCOMPLETE0002	STEAM POPPET (H) (SST303, ASTM A743)
6	SJET	STEAM JET (SST416, ASTM A582)
7	PSEATBR	POPPET SEAT (BRASS ASTM C46400)
8	HRCOMPLETE0000	HOSE RACK (not shown) w/FITTINGS (SST304, ASTM A276)
10	MUSPAC	HEX SPACER (not shown) (SST416, ASTM A582)
11	MUWPLTBR	WALL PLATE (not shown) (optional) (BRASS B16, CA360)
12	BCNUTBR	BALL CHECK UNION NUT (BRASS ASTM B16 C36000)
13	BCBRG	BALL CHECK VALVES COMPLETE (includes part 36) (BRASS ASTM B16, C36000, SST303, ASTM A582)
18	WCHM5000	WATER CHAMBER (SST303, ASTM A582)
19	WCHHOUSASSYBR	WATER CHAMBER HOUSING (includes part 35) (BRASS B16, C36000)
20	M5000PGUIBR	POPPET GUIDE (BRASS ASTM B16, C36000, SST303, ASTM A582, EPDM "O" RING)
21	M500PNUTBR	POPPET GUIDE NUT (BRASS B283, CA37700)
22	M500BNUTBR	BODY NUT (BRASS B283, CA37700)
25	SHN8320031OZ	SET SCREW (SET OF 6) (SST304, ASTM A276)
26	SPRGM5000	POPPET SPRING (SET OF 6) (SST302, ASTM A240)
27	M500PGEX	GUIDE EXTENSION (SST416, ASTM A 582)
28	M500PPSH	PUSHER (SST303, ASTM A582)
31**	TGGF02	TEMPERATURE GAUGE (BRASS B283, CA37700)
32	BLCHMFB	BLENDING CHAMBER (BRASS BRONZE B62, CH83600)
35	ORNG222HB	"O" SEALING RING FOR WATER CHAMBER HOUSING (EPDM)
36	BCGAC	BALL CHECK GASKET (COPPER)

**Temperature Gauge: 100-250°F (40-120°C)