



BASIX HOSE RACK

Store water hoses, air hoses, electrical cords, or anything else safely off the floor keeping them clean and free from contamination or damage!

Our BASIX HOSE RACK is basic in design but engineered with a patent pending welded one-piece construction that is strong enough to easily support 200 lbs. The stainless steel rack is versatile with multiple uses—not only for hanging heavy duty water hoses but can also store air hoses, garden hoses, electrical cords or anything else that is needed to keep clean, damage-free and safely organized and off the floor.

Wall mounted unit is supplied with masonry mounting hardware but can be welded to a steel column or bolted to a bulk head using a threaded rod.

KEY FEATURES

- 300 series Stainless Steel construction resists rusting and adverse reaction to chemicals or other harsh substances and is easy to keep clean
- Solid, heavy duty ½" diameter solid smooth tubing means it won't bend
- Double welded construction at bar plate connections will provide security for a long lasting performance
- Light weight—only 4 lbs. but can easily support 200 lbs. without deflection
- Multiple uses for water hoses, air hoses, electrical cords
- Includes masonry mounting hardware



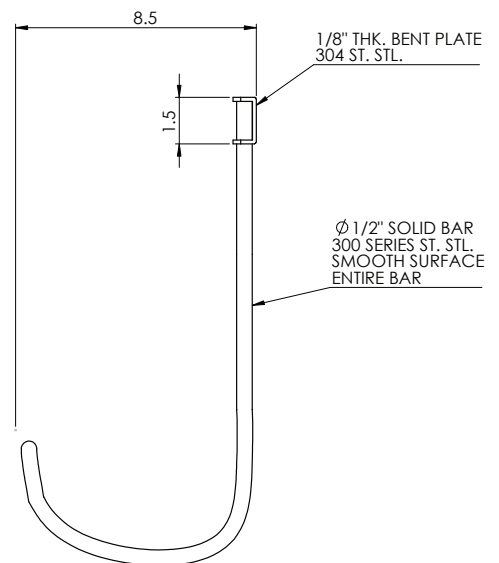
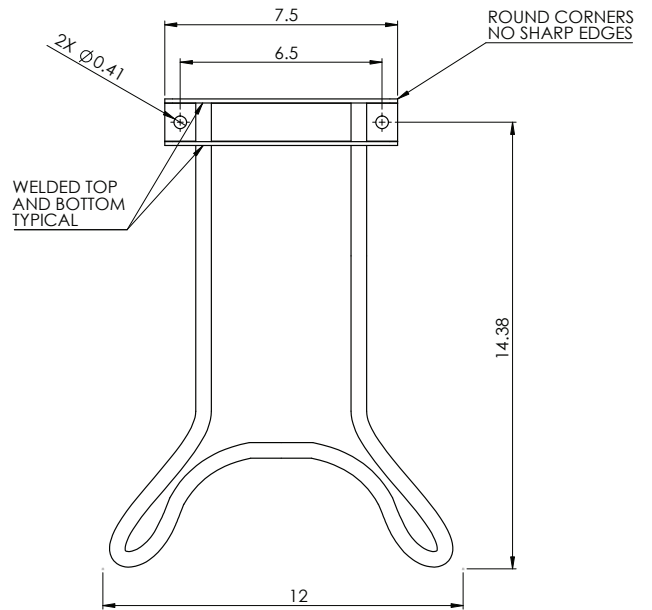
Organize water hoses, air hoses, electrical cords, or anything else you want to keep safely off the floor and free from contamination or damage by securely fastening to wall, including masonry, steel columns, or weld to other structures.



BASIX Hose Rack	
1" O.D. Hose	Will Hold up to 100'
1/2" O.D. Hose	Will Hold up to 200'
3/8" O.D. Hose	Will Hold up to 250'



Includes masonry mounting hardware.



SPECIFICATIONS

ORDER # KS15

DIMENSIONS: 12"W x 8½"D x 14¾" H

WEIGHT: 4 LBS

MATERIALS: STAINLESS STEEL 300 SERIES

ORDERING INFORMATION & PARTS

UNIT INCLUDES A STAINLESS STEEL HOSE RACK. HOSE AND SPRAY NOZZLE SOLD SEPARATELY.

REFER TO THE PARTS LIST FOR MATERIALS AND REPLACEMENT OPTIONS. ALL PARTS ARE BUILT TO LAST, USING ASTM-RATED STAINLESS STEEL, BRASS, AND BRONZE COMPONENTS.